

NETTUR TECHNICAL TRAINING FOUNDATION
CP01 – DIPLOMA IN TOOL ENGINEERING AND DIGITAL MANUFACTURING
FIRST SEMESTER CP01 COMMON EXAMINATION – JAN 2023

SET-1

SUBJECT : CAD (FUSION 360)
SUBJECT CODE: CP 01107P

TOTAL TIME: 1 h
TOTAL MARKS: 40

- a) Create the solid model of the isometric view given in Figure-1
b) Create a copy of the model and reorient the model to 180° as in Figure-2

Figure-1

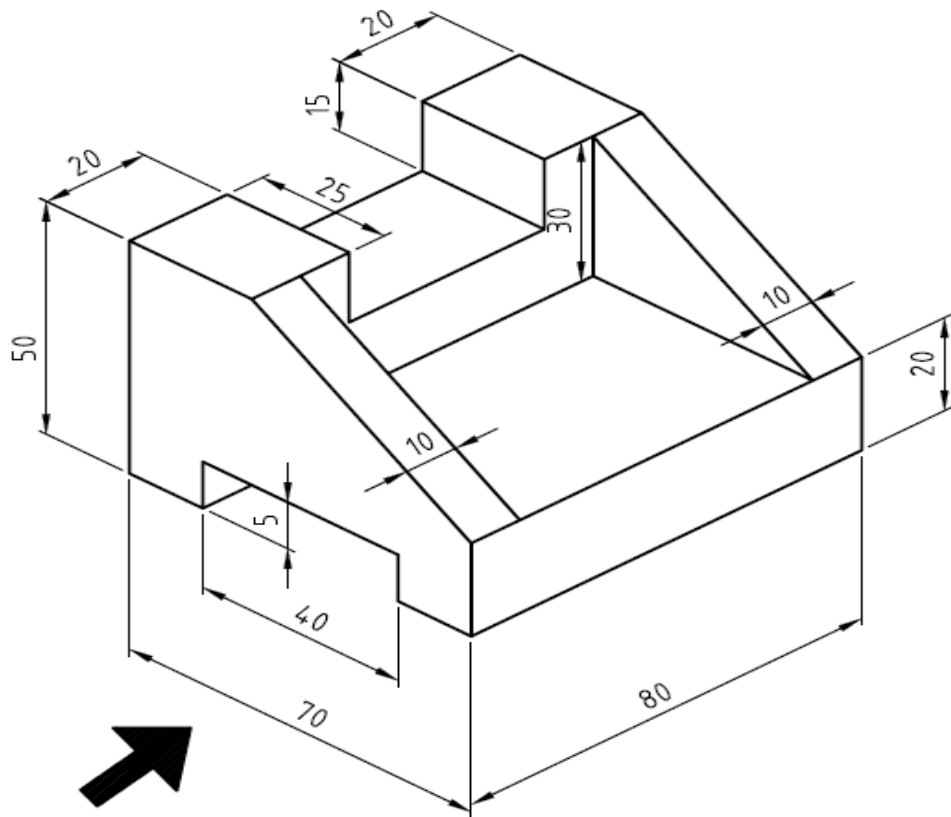
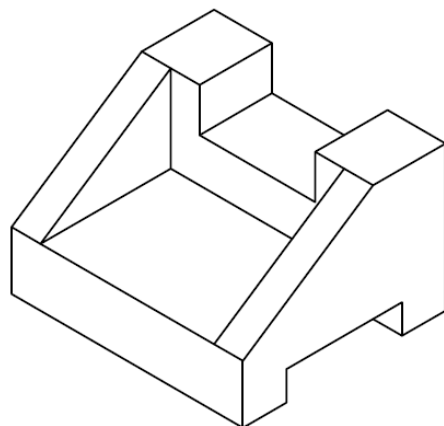


Figure-2



Marks Distribution

Sketches & Dimensions	: 20
Constraints	: 10
Orientation of Model	: 05
Reorientation of Model	: <u>05</u>
Total	: 40